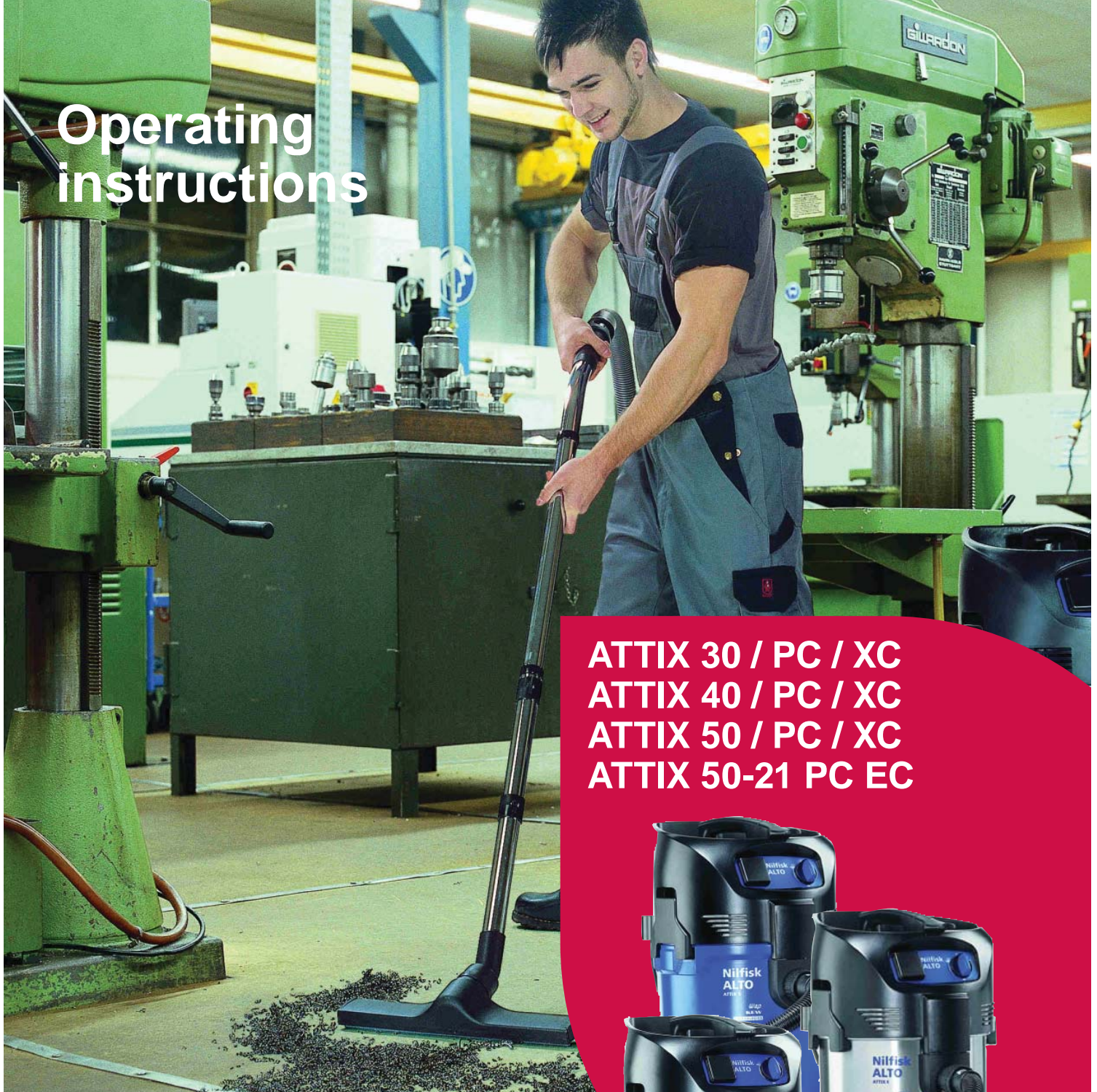


# Operating instructions



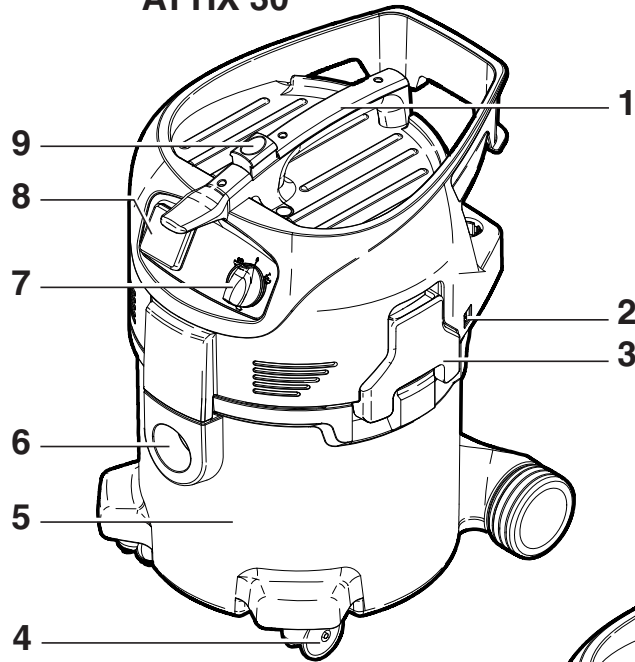
ATTIX 30 / PC / XC  
ATTIX 40 / PC / XC  
ATTIX 50 / PC / XC  
ATTIX 50-21 PC EC



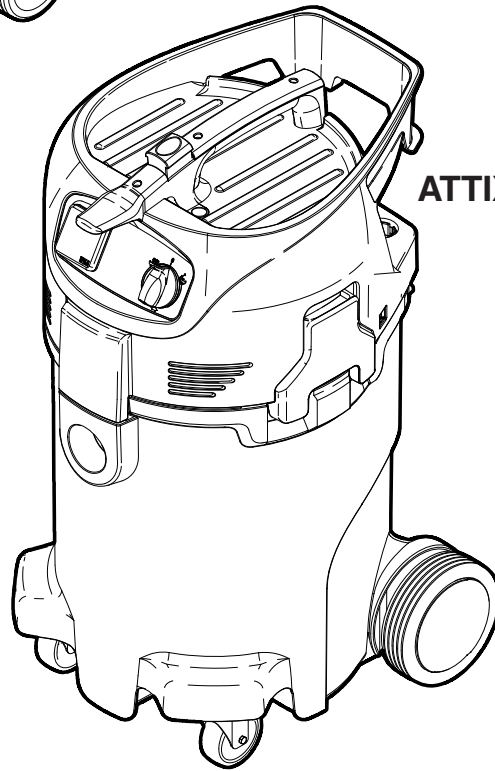
107400397 E

**Nilfisk**  
**ALTO**  
works for you

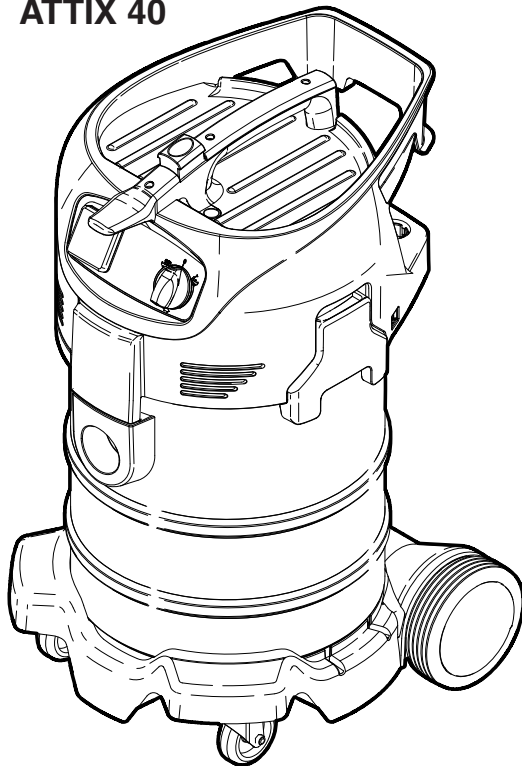
**ATTIX 30**



**ATTIX 50**



**ATTIX 40**



# Contents



<b>1</b>	<b>Important safety instructions</b>	.....	2
<b>2</b>	<b>Description</b>	2.1 Operating elements.....	6
		2.2 Operating panel.....	7
<b>3</b>	<b>Before starting the cleaner</b>	3.1 Assembling the vacuum cleaner.....	8
		3.1.1 Taking accessories out of the packaging <sup>1)</sup> .....	8
		3.1.2 Attaching the suction pipe holder to the suction pipe <sup>1)</sup> .....	8
		3.2 Inserting the filter bag.....	9
<b>4</b>	<b>Control / Operation</b>	4.1 Connections.....	11
		4.1.1 Connecting the suction hose.....	11
		4.1.2 Electrical connection.....	11
		4.2 Switching on the vacuum cleaner.....	11
		4.2.1 Switch „0-I“ <sup>1)</sup> .....	11
		4.2.2 Switch „auto-0-I“ <sup>1)</sup> .....	11
		4.2.3 Suction power control <sup>1)</sup> .....	12
		4.2.4 Auto-On/Off-Operation - "auto" switch position <sup>1)</sup> .....	12
		4.3 Cleaning the filter element.....	13
		4.3.1 Cleaning the filter element " Push&Clean System " (ATTIX 30- / 40- / 50-xx PC).....	13
		4.3.2 Cleaning the filter element " XtremeClean " (ATTIX 30- / 40- / 50-xx XC).....	13
<b>5</b>	<b>Applications and methods</b>	5.1 Techniques.....	14
		5.1.1 Picking up dry substances.....	14
		5.1.2 Picking up liquids.....	14
<b>6</b>	<b>After using the cleaner</b>	6.1 Switching the vacuum cleaner off and storage.....	15
<b>7</b>	<b>Maintenance</b>	7.1 Maintenance plan.....	16
		7.2 Maintenance work.....	16
		7.2.1 Emptying the dirt tank.....	16
		7.2.2 Replacing the filter bag.....	17
		7.2.3 Replacing the disposal bag.....	18
		7.2.4 Replacing filter element (Push & Clean System).....	19
		7.2.5 Replacing filter element (XtremeClean System).....	20
<b>8</b>	<b>Troubleshooting</b>	.....	21
<b>9</b>	<b>Further information</b>	9.1 Recycling the cleaner.....	22
		9.2 Guarantee.....	22
		9.3 Tests and approvals.....	22
		9.4 EC declaration of conformity.....	22
		9.5 Technical data.....	23
		9.6 Optional accessories.....	23

# EN 1 Important safety instructions

## Symbols used to mark instructions



Prior to using the appliance for the first time, be sure to read this document through and keep it ready to hand.

	<b>DANGER</b>
	Danger that leads directly to serious or irreversible injuries, or even death.
	<b>WARNING</b>
	Danger that can lead to serious injuries or even death.
	<b>CAUTION</b>
	Danger that can lead to minor injuries and damage.

The appliance must

- only be used by persons, who have been instructed in its correct usage and explicitly commissioned with the task of operating it
- only be operated under supervision
- This machine is not intended for use by persons (including children) with reduced physical, sensory or mental capabilities, or lack of experience and knowledge.
- Children shall be supervised to make sure that they do not play with the appliance.

1. Do not use any unsafe work techniques.
2. Never use the vacuum cleaner without a filter.
3. Switch off the appliance and disconnect the mains plug in the following situations:
  - Prior to cleaning and servicing
  - Prior to replacing components
  - Prior to changing over the appliance
  - If foam develops or liquid emerges

Besides the operating instructions and the binding accident prevention regulations valid in the country of use, observe recognised regulations for safety and proper use.

## Purpose and intended use

The appliance is suitable for picking up dry, non-flammable dust and liquids.

The appliance is suitable for commercial use, such as e.g. in

- Hotels, Schools, Hospitals, Factories, Shops, Offices, Hire shops

Any other use is considered as improper use. The manufacturer accepts no liability for any damage resulting from such use. The risk for such use is borne solely by the user.

Proper use also includes proper operation, servicing and repairs as specified by the manufacturer.



### Transport

1. Before transporting the dirt tank, close all the locks.
2. Do not tilt the cleaner if there is liquid in the dirt tank.
3. Do not use a crane hook to lift the cleaner.

### Storage

1. Store the appliance in a dry place, protected from frost.

### Electrical connection

1. It is recommended that the vacuum cleaner should be connected via a residual current circuit breaker.
2. Arrange the electrical parts (sockets, plugs and couplings) and lay down the extension lead so that the protection class is maintained.
3. Connectors and couplings of power supply cords and extension leads must be watertight.

### Extension lead

1. As an extension lead, only use the version specified by the manufacturer or one of a higher quality.
2. When using an extension lead, check the minimum cross-sections of the cable:

Cable length	Cross section	
	< 16 A	< 25 A
up to 20 m	1.5 mm <sup>2</sup>	2.5 mm <sup>2</sup>
20 to 50 m	2.5 mm <sup>2</sup>	4.0 mm <sup>2</sup>

### Warranty

Our general conditions of business are applicable with regard to the guarantee.





Unauthorised modifications to the appliance, the use of incorrect brushes in addition to using the appliance in a way other than for the intended purpose exempt the manufacturer from any liability for the resulting damage.

### Tests and approvals


Electrical tests must be performed in accordance with the provisions of safety regulations (BGV A3) and to DIN VDE 0701 Part 1 and Part 3. In accordance with DIN VDE 0702 these tests must be performed at regular intervals and after repairs or modifications.

# EN Risks


## Electrical components

	<b>DANGER</b>
	<p>Electric shock due to faulty mains connecting lead.</p> <p>Touching a faulty mains connecting lead can result in serious or even fatal injuries.</p> <ol style="list-style-type: none"> <li>1. Do not damage the mains power lead (e.g. by driving over it, pulling or crushing it).</li> <li>2. Regularly check whether the power cord is damaged or shows signs of ageing.</li> <li>3. Have the faulty mains connecting lead replaced by your Nilfisk-Alto service representative or a qualified electrician prior to using the appliance again.</li> </ol>
	<b>DANGER</b>
	<p>The upper section of the vacuum cleaner contains live components.</p> <p>Contact with live components leads to serious or even fatal injuries.</p> <ol style="list-style-type: none"> <li>1. Never spray water on to the upper section of the vacuum cleaner.</li> </ol>
	<b>CAUTION</b>
	<p>Appliance socket<sup>1)</sup>.</p> <p>The appliance socket is only designed for the purposes defined in the operating instructions. The connection of different appliances can result in damage.</p> <ol style="list-style-type: none"> <li>1. Prior to plugging in an appliance, always switch off the vacuum cleaner and the appliance that is to be connected.</li> <li>2. Read the operating instructions to the appliance to be connected and observe the safety notes contained in these.</li> </ol>
	<b>CAUTION</b>
	<p>Damage due to unsuitable mains voltage.</p> <p>The appliance can be damaged as a result of being connected to an unsuitable mains voltage.</p> <ol style="list-style-type: none"> <li>1. Ensure that the voltage shown on the rating plate corresponds to the voltage of the local mains power supply.</li> </ol>


**Picking up liquids**

<b>CAUTION</b>	
	<p>Picking up liquids. Do not pick up flammable liquids.</p> <ol style="list-style-type: none"> <li>1. Before liquids are picked up, always remove the filter bag/waste bag and check that the float <sup>1)</sup> or the water level limit <sup>1)</sup> works properly.</li> <li>2. The use of a separate filter element or filter screen is recommended.</li> <li>3. If foam appears, stop work immediately and empty the tank.</li> </ol>


**Hazardous materials**

<b>WARNING</b>	
	<p>Hazardous materials. Vacuuming up hazardous materials can lead to serious or even fatal injuries</p> <ol style="list-style-type: none"> <li>1. The following materials must not be picked up by the vacuum cleaner: <ul style="list-style-type: none"> <li>- hazardous dust</li> <li>- hot materials (burning cigarettes, hot ash, etc.)</li> <li>- flammable, explosive, aggressive liquids (e.g. petrol, solvents, acids, alkalis, etc.)</li> <li>- flammable, explosive dust (e.g. magnesium or aluminium dust, etc.)</li> </ul> </li> </ol>

**Spare parts and accessories**

<b>CAUTION</b>	
	<p>Spare parts and accessories. The use of non-genuine spare parts and accessories can impair the safety of the appliance.</p> <ol style="list-style-type: none"> <li>1. Only use spare parts and accessories from Nilfisk-Alto.</li> <li>2. Use only the brushes supplied with the vacuum cleaner or specified in the operating manual.</li> </ol>

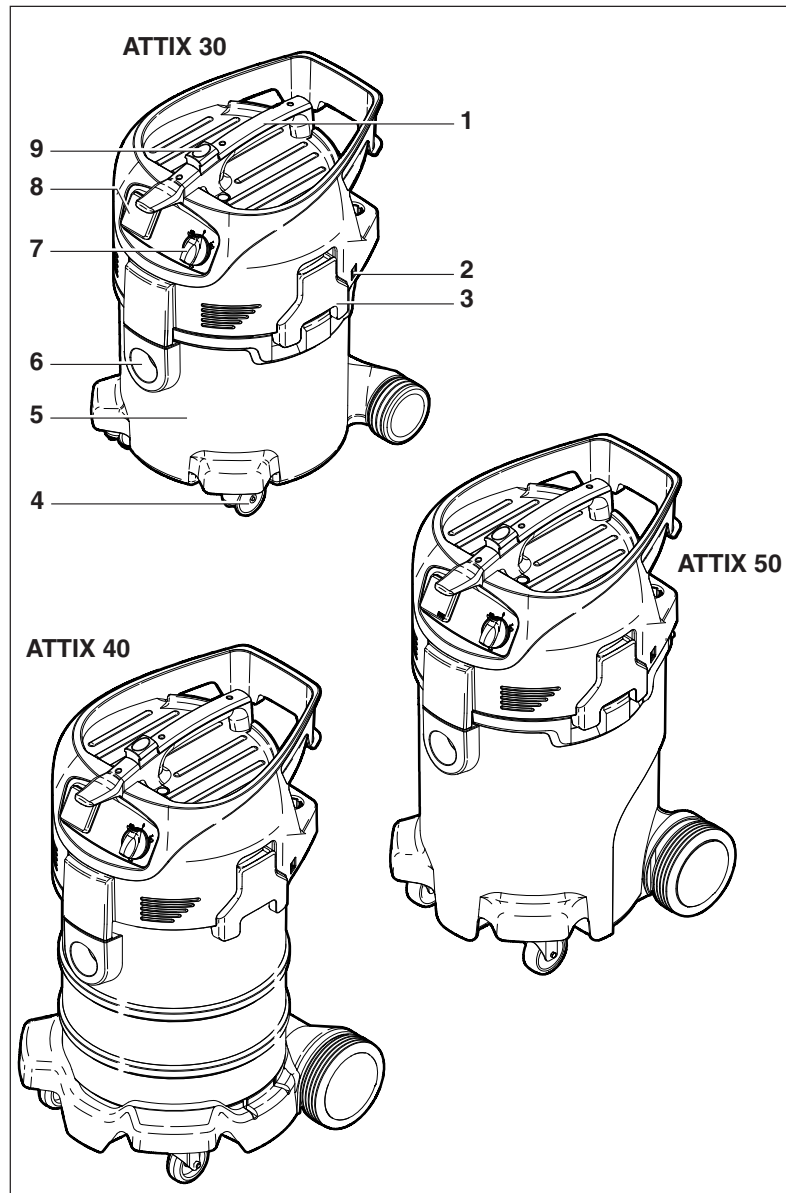
**Emptying dirt tank**

<b>CAUTION</b>	
	<p>Picking up environmentally hazardous materials. Materials picked up can present a hazard to the environment.</p> <ol style="list-style-type: none"> <li>1. Dispose of the dirt in accordance with legal regulations.</li> </ol>

## EN 2 Description

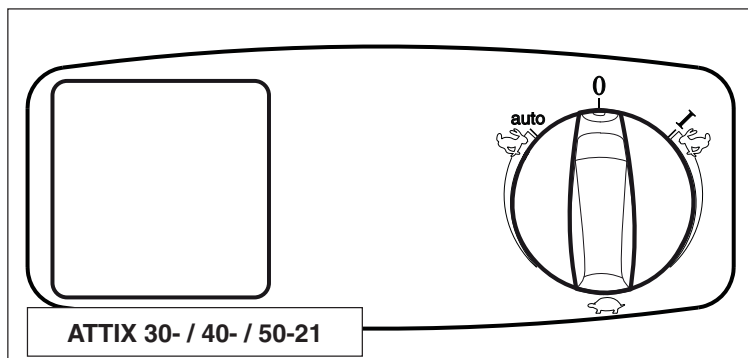
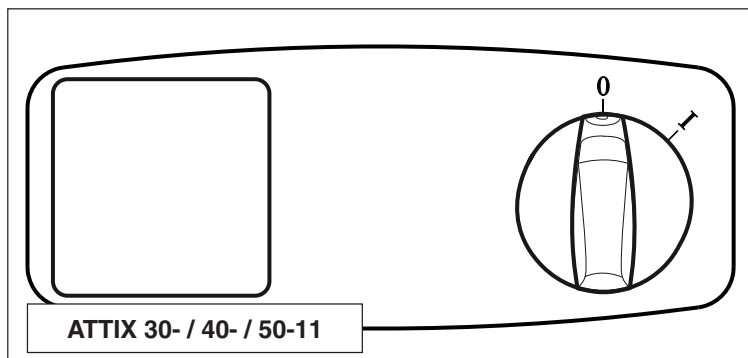
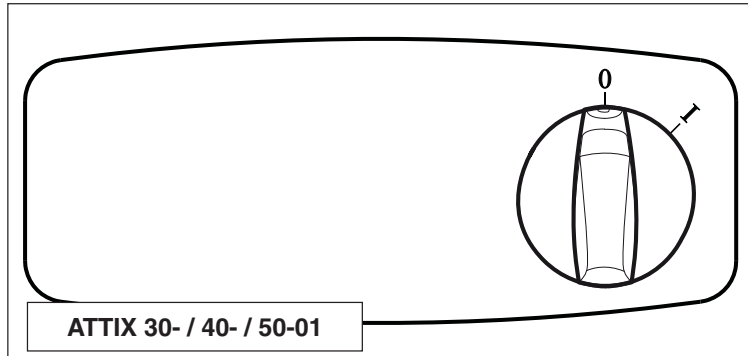
### 2.1 Operating elements

- 1 Handle with receptacle for electrical lead
- 2 Fixing point for suction pipe holder
- 3 Retaining clamp
- 4 Castor
- 5 Dirt tank
- 6 Inlet fitting
- 7 Appliance switch
- 8 Appliance socket <sup>1)</sup>
- 9 Operating knob for filter cleaning <sup>1)</sup>





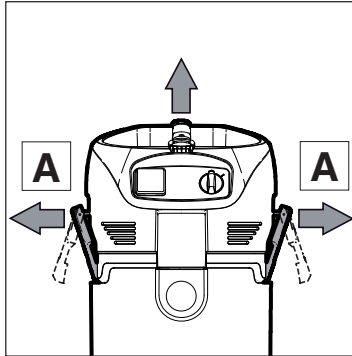
## 2.2 Operating panel



## **EN** 3 Before starting the cleaner

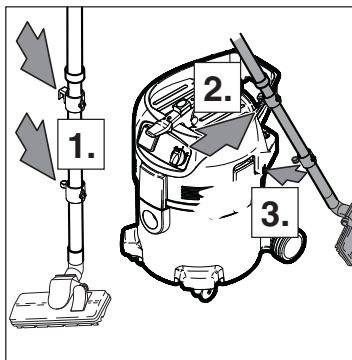
### 3.1 Assembling the vacuum cleaner

#### 3.1.1 Taking accessories out of the packaging <sup>1)</sup>



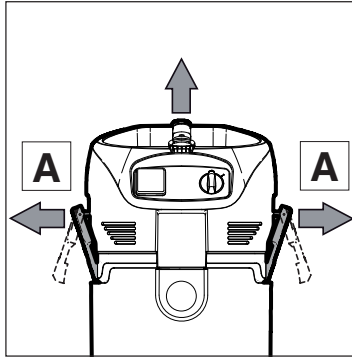
1. Take vacuum cleaner and accessories out of the packaging.
2. The mains plug should not yet be inserted into a socket.
4. Open the retaining clamps (A) and remove the upper section of the vacuum cleaner.
5. Take the accessories <sup>1)</sup> out of the dirt tank and the packaging.

#### 3.1.2 Attaching the suction pipe holder to the suction pipe <sup>1)</sup>

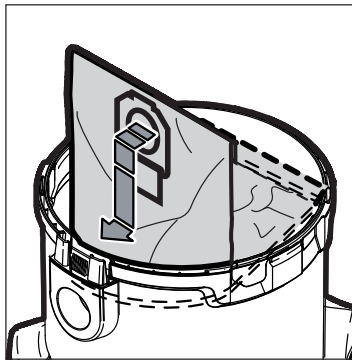


1. Attach the suction pipe holder to the suction pipe.

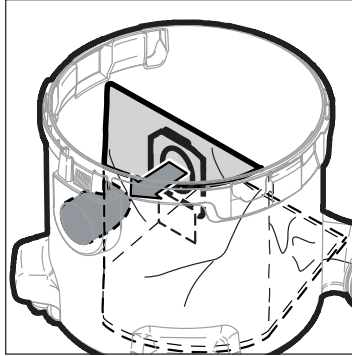
### 3.2 Inserting the filter bag



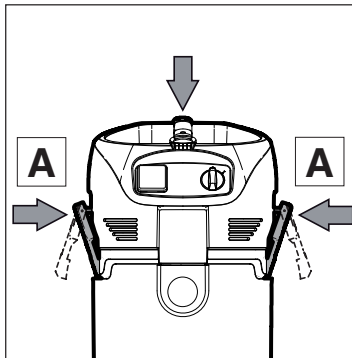
1. The mains plug should not yet be inserted into a socket.
2. Open the retaining clamps (A) and remove the upper section of the vacuum cleaner.



3. Insert the filter bag into the dirt tank.



4. Press the filter bag connection firmly on to the inlet fitting.

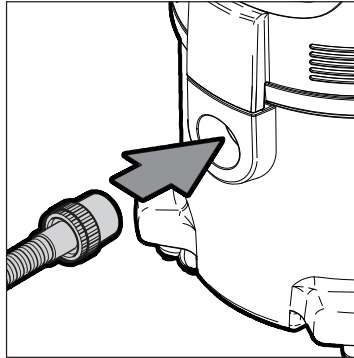


5. Attach the upper section of the vacuum cleaner.
6. Close the retaining clamps (A). Ensure that the retaining clamps fit properly.

# 4 Control / Operation

## 4.1 Connections

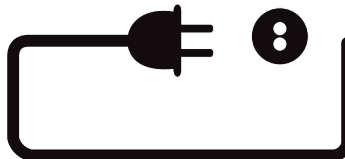
### 4.1.1 Connecting the suction hose



1. Connect the suction hose.

### 4.1.2 Electrical connection

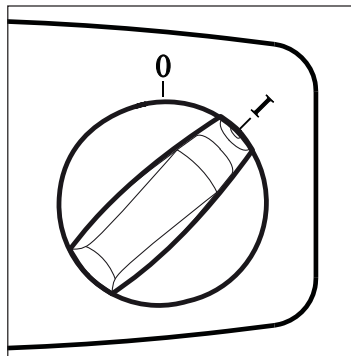
*The operating voltage shown on the rating plate must correspond to the voltage of the mains power supply.*



1. Ensure that the cleaner is switched off.
2. Insert the power cord into a properly installed and fused socket with earthing contact.

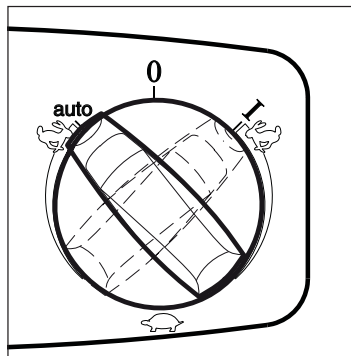
## 4.2 Switching on the vacuum cleaner


### 4.2.1 Switch „0-I“<sup>1)</sup>



Switch position	Function
0	Off
I	On

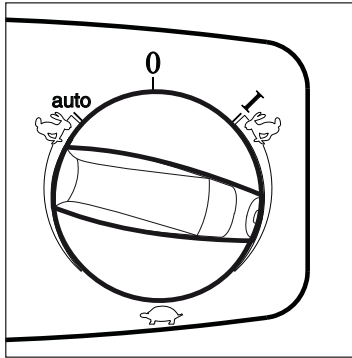
### 4.2.2 Switch „auto-0-I“<sup>1)</sup>




Switch position	Function
0	Off
auto	 Auto On/Off
I	On / manual mode



### 4.2.3 Suction power control <sup>1)</sup>



Switch position	Function
	The suction power control switch allows precise adaptation of the suction power for different cleaning tasks.

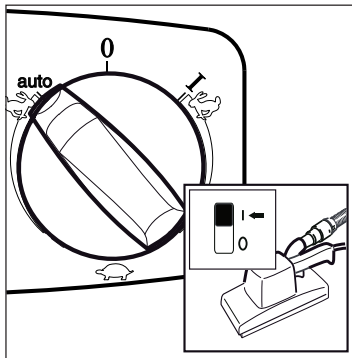
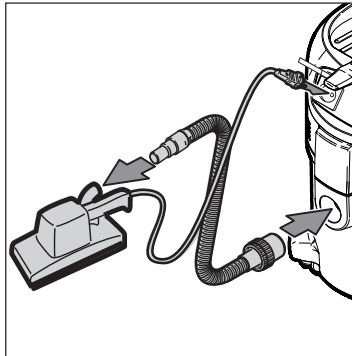
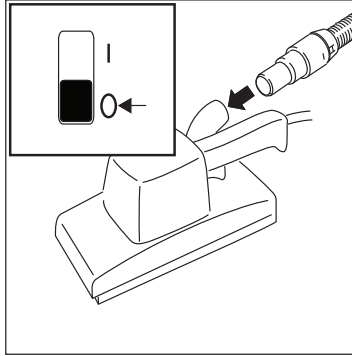
### 4.2.4 Auto-On/Off-Operation - "auto" switch position <sup>1)</sup>

The vacuum cleaner is switched on and off by the power tool connected. Dirt is picked up from the source of dust immediately.

To comply with regulations, only approved dust producing tools should be connected.

The maximum power consumption of the connected electrical appliance is stated in section "Technical data".

Before switching the switch to position „auto“, ensure that the tool connected to the appliance socket is switched off.



1. Switch off the vacuum cleaner.
2. Switch off the power tool.
3. Connect the power tool and the vacuum cleaner with a suction hose.
4. Insert the plug of the power tool into the tool socket on the operating panel of the vacuum cleaner.
5. Switch on the vacuum cleaner. Switch in "auto" position.
6. Switch on the power tool. The vacuum cleaner motor starts when the connected power tool is switched on. When the power tool is switched off, the vacuum cleaner continues to run for a short moment so that any dust in the suction hose is conveyed to the filter bag.

**4.3 Cleaning the filter element**  
**4.3.1 Cleaning the filter element**  
**" Push&Clean System "**  
**(ATTIX 30- / 40- / 50-xx PC)**

*Only for vacuum cleaning without a filter bag and without a cloth insert filter.*



EN

If suction performance drops:

1. Turn switch to position "I" (maximum suction power).
2. Close the nozzles or suction hose opening with the palm of your hand.
3. Press the button to start filter cleaning three times. The resulting stream of air removes attached dust from the slats of the filter elements.

**4.3.2 Cleaning the filter element " XtremeClean "**  
**(ATTIX 30- / 40- / 50-xx XC)**

*Only for vacuum cleaning without a cloth insert filter.*



To ensure that suction performance is always at its best, the filter element is automatically cleaned during operation. We recommend complete cleaning if the filter element becomes extremely dirty.

1. Switch off the vacuum cleaner
2. Close the nozzles or suction hose opening with the palm of your hand.
3. Turn the switch to position „I“ and let the cleaner operate for approx. 10 seconds with the suction hose opening closed.

# **EN** 5 Applications and techniques

## **5.1 Techniques**

If used correctly, additional accessories, suction nozzles and suction hoses can enhance the cleaning action and reduce the cleaning effort.

Effective cleaning is achieved if you follow just a few guidelines in combination with your own practical experience in special fields.

Here are some basic tips.

### **5.1.1 Picking up dry substances**

Before picking up dry substances, always ensure that a filter bag is inserted in the tank (see section "Accessories" for order number). Disposal of the picked up material is then simple and hygienic.

After picking up liquids, the filter element is wet. A damp filter element clogs more quickly when dry substances are picked up. For this reason the filter element should be washed and dried or replaced by a dry element before dry substances are picked up.

### **5.1.2 Picking up liquids**

Before liquids are picked up, always remove the filter bag/disposal bag.

The use of a separate filter element or filter screen is recommended. Does not apply to XC machines.

If foam appears, stop work immediately and empty the tank.

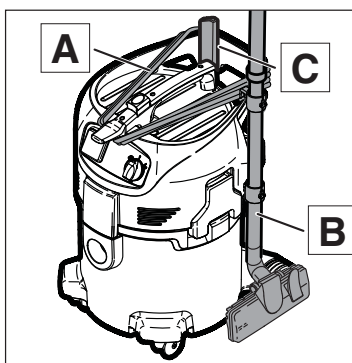
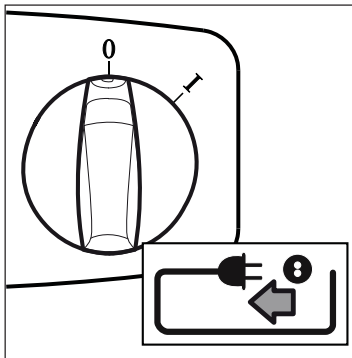
To reduce the amount of foam, use foam killer Nilfisk-Alto Foam Stop (see section "Accessories" for order number).



## 6 After finishing work

EN

### 6.1 Switching the vacuum cleaner off and storage



1. Switch off the cleaner and pull the mains plug out of the socket.
2. Wind up the power cord onto the handle (A). Begin winding up the cord at the cleaner end and not the plug end to prevent the power cord from tangling up.
3. Empty the dirt tank and clean the vacuum cleaner.
4. After picking up liquids: Store the upper section of the vacuum cleaner separately so that the filter element can dry.
5. Hang the suction hose with the floor nozzle (B) in the brackets and pack the accessories (C) away.
6. Store the cleaner in a dry room where it is protected from unauthorized use.

# EN 7 Maintenance

## 7.1 Maintenance plan

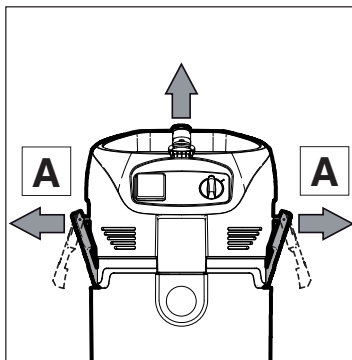
		After finishing work	When required
7.2.1	Emptying dirt tank	●	
7.2.2	Replacing the filter bag		●
7.2.3	Replacing the disposal bag		●
7.2.4	Replacing filter element (Push&Clean)		●
7.2.5	Replacing filter element (XtremeClean)		●

## 7.2 Maintenance work

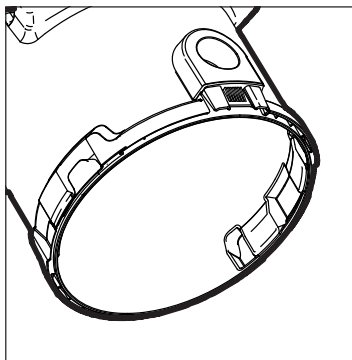
### 7.2.1 Emptying the dirt tank

After emptying the tank: clean the rim of the tank and the seals in the intermediate ring and the upper section of cleaner before refitting them. If the seal or groove is dirty or damaged, the suction performance will be reduced.

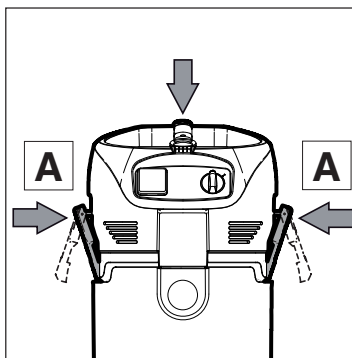
Before reinserting the suction hose: clean the inlet fitting and hose collar.



1. Switch off the vacuum cleaner and pull the mains plug out of the socket.
2. Open the retaining clamps (A) and remove the upper section of the vacuum cleaner.

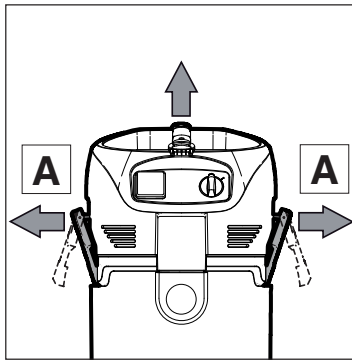


3. Tip out the collected dirt.
4. Dispose of the dirt in accordance with legal regulations.



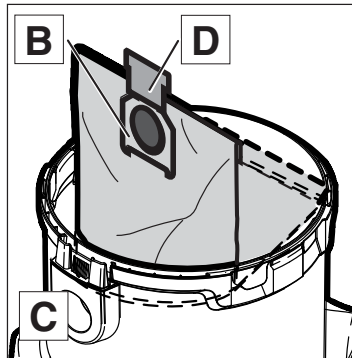
5. Attach the upper section of the vacuum cleaner.
6. Close the retaining clamps (B). Ensure that the retaining clamps fit properly.

## 7.2.2 Replacing the filter bag



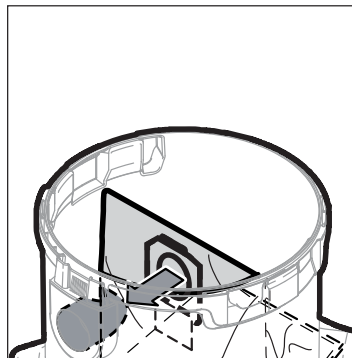
1. Switch off the vacuum cleaner and pull the mains plug out of the socket.
2. Open the retaining clamps (A) and remove the upper section of the vacuum cleaner.

EN



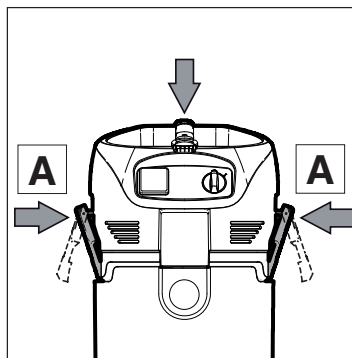
### Removing the filter bag:

3. Carefully remove the filter bag connection from the inlet fitting (C).
4. Close the filter bag connection (D) with the slider.
5. Dispose of the filter bag in accordance with legal regulations.



### Inserting the filter bag:

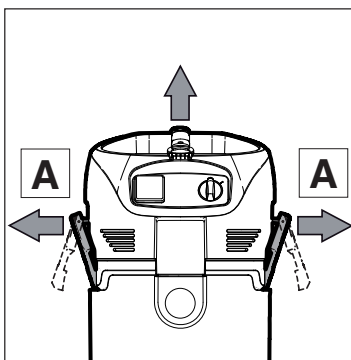
6. Clean the dirt tank.
7. Insert the filter bag in the dirt tank.
8. Press the bush of the new filter bag firmly on to the inlet fitting (C).



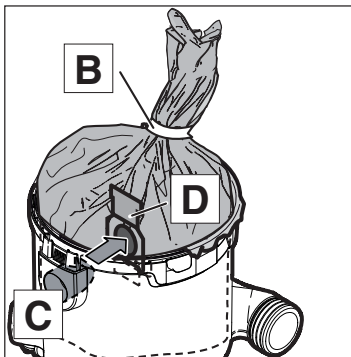
9. Attach the upper section of the vacuum cleaner.
10. Close the retaining clamps (B). Ensure that the retaining clamps fit properly.



### 7.2.3 Replacing the disposal bag

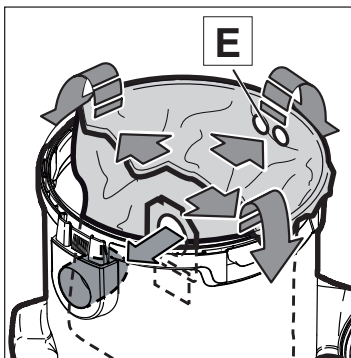


1. Switch off the vacuum cleaner and pull the mains plug out of the socket.
2. Open the retaining clamps (A) and remove the upper section of the vacuum cleaner.



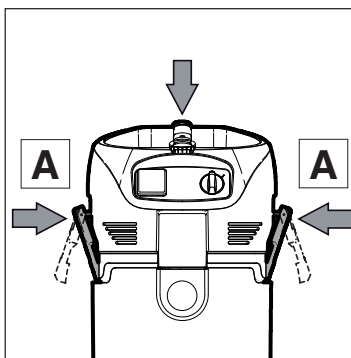
#### Removing the disposal bag:

3. Close the disposal bag with string (B).
4. Carefully remove the filter bag connection from the inlet fitting (C).
5. Close the disposal bag connection (D) with the slider.
6. Dispose of the disposal bag in accordance with legal regulations.



#### Inserting the disposal bag:

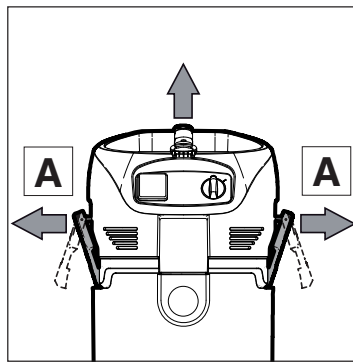
7. Clean the dirt tank.
8. Insert the disposal bag into the dirt tank.
9. Check that the ventilation holes (E) remain inside the dirt tank.
10. Press the bush of the new filter bag firmly on to the inlet fitting.
11. Fold the top edge of the disposal bag over the rim of the dirt tank.



12. Attach the upper section of the vacuum cleaner.
13. Close the retaining clamps (A). Ensure that the retaining clamps fit properly.

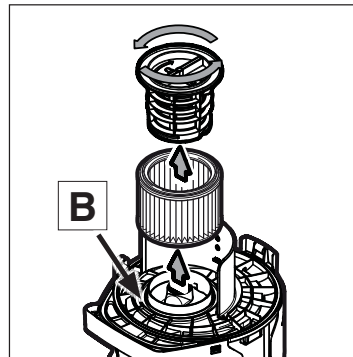
### 7.2.4 Replacing filter element (Push & Clean System)

*Never use the vacuum cleaner without a filter.*



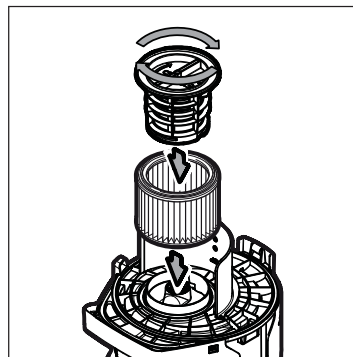
1. Switch off the vacuum cleaner and pull the mains plug out of the socket.
2. Open the retaining clamps (A) and remove the upper section of the vacuum cleaner.

EN



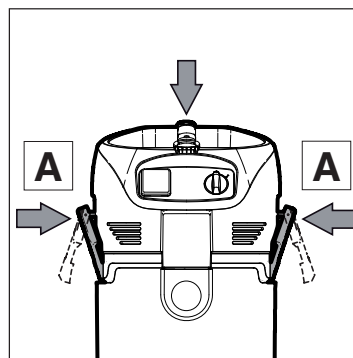
#### Removing the filter element:

3. Turn the filter holder anticlockwise and remove it.
4. Carefully remove the filter element.
5. Clean the filter seal (B). Check it for damage and replace it if necessary.



#### Inserting the filter element:

6. Fit the filter holder and turn it clockwise to secure it.
7. Fit the filter holder and turn it clockwise to secure it.
8. Dispose of the used filter element in accordance with legal regulations.

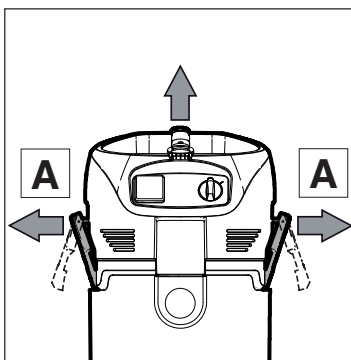


9. Attach the upper section of the vacuum cleaner.
10. Close the retaining clamps (A). Ensure that the retaining clamps fit properly.

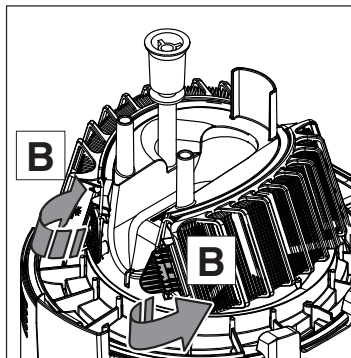
**EN**

### 7.2.5 Replacing filter element (XtremeClean System)

*Never use the vacuum cleaner without a filter.*

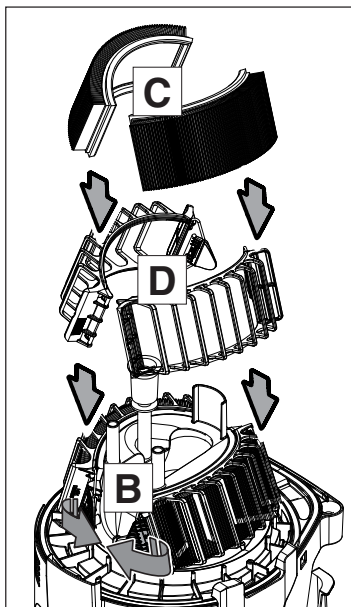


1. Switch off the vacuum cleaner and pull the mains plug out of the socket.
2. Open the retaining clamps (A) and remove the upper section of the vacuum cleaner.



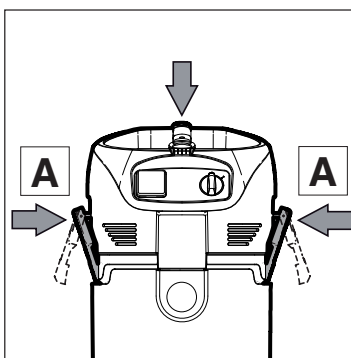
#### Removing the filter elements:

3. Open filter tension part (B).
4. Remove carefully the cassettes with filter elements.



#### Inserting the filter elements:

5. Insert new filter elements (C) into the cassettes (D).
6. Attach the cassettes with the filter elements onto the upper section of the vacuum cleaner.
7. Fix the filter tension part (B).
8. Dispose of the used filter elements in accordance with legal regulations.



9. Attach the upper section of the vacuum cleaner.
10. Close the retaining clamps (A). Ensure that the retaining clamps fit properly.

# 8 Troubleshooting



Fault	Cause	Remedy
‡ Motor does not start	<ul style="list-style-type: none"> <li>&gt; Fuse of the mains socket has blown.</li> <li>&gt; Overload protection switch has tripped.</li> <li>&gt; Motor is faulty.</li> </ul>	<ul style="list-style-type: none"> <li>• Connect mains fuse.</li> <li>• Switch off the vacuum cleaner and allow it to cool for approx. 5 minutes. If the cleaner cannot be started again, contact the Nilfisk-Alto service department.</li> <li>• Have motor changed by Nilfisk-Alto Service.</li> </ul>
‡ Motor does not run in automatic mode <sup>1)</sup>	<ul style="list-style-type: none"> <li>&gt; Power tool/pneumatic tool is defective or not connected properly.</li> <li>&gt; The power rating of the electrical tool is too low.</li> </ul>	<ul style="list-style-type: none"> <li>• Check that the power tool works or that the plug is inserted correctly.</li> <li>• Note that minimum power rating is P&gt;40W</li> </ul>
‡ Reduced suction power	<ul style="list-style-type: none"> <li>&gt; Suction power selected with suction power control<sup>1)</sup> is too low.</li> <li>&gt; Clogged suction hose/nozzle.</li> <li>&gt; Tank, disposal bag or filter bag is full.</li> <li>&gt; Filter element is clogged.</li> <li>&gt; Seal between tank and upper section of vacuum cleaner is faulty or missing.</li> <li>&gt; Cleaning mechanism is defective.</li> </ul>	<ul style="list-style-type: none"> <li>• Set suction power in accordance with section „Setting suction power“.</li> <li>• Clean suction hose/nozzle</li> <li>• See "Emptying tank" or "Replacing disposal bag, filter bag" sections.</li> <li>• See section „Cleaning filter element“ and „Replacing filter element“.</li> <li>• Replace seal.</li> <li>• Contact Nilfisk-Alto Service.</li> </ul>
‡ No suction power during wet cleaning	<ul style="list-style-type: none"> <li>&gt; Tank is full.</li> </ul>	<ul style="list-style-type: none"> <li>• Switch off the cleaner. Empty the tank.</li> </ul>
‡ Voltage fluctuations	<ul style="list-style-type: none"> <li>&gt; Impedance of power supply is too high.</li> </ul>	<ul style="list-style-type: none"> <li>• Connect the cleaner to another socket closer to the fuse box. Voltage fluctuations over 7% should not occur if the impedance at the transfer point is <math>\leq 0.15 \Omega</math>.</li> </ul>

## 9 Further information

### 9.1 Recycling the cleaner

Make the old cleaner unusable immediately.

1. Unplug the cleaner.
2. Cut the power cord.
3. Do not discard of electrical appliances with household waste.



As specified in European Directive 2002/96/EC on old electrical and electronic appliances, used electrical goods must be collected separately and recycled ecologically. Contact your local authorities or your nearest dealer for further information.

### 9.2 Guarantee

Our general conditions of business are applicable with regard to the guarantee.



Unauthorised modifications to the appliance, the use of incorrect brushes in addition to using the appliance in a way other than for the intended purpose exempt the manufacturer from any liability for the resulting damage.

### 9.3 Tests and approvals

Electrical tests must be performed in accordance with the provisions of safety regulations (BGV A3) and to DIN VDE 0701 Part 1 and Part 3. In accordance with DIN VDE 0702 these tests must be performed at regular intervals and after repairs or modifications.

The vacuum cleaner has been approved in accordance with IEC/EN 60335-2-69.

### 9.4 EC declaration of conformity

	EU Declaration of Conformity
<b>Product:</b>	Vacuum cleaner for wet and dry operation
<b>Type:</b>	ATTIX 30 / 40 / 50
<b>The design of the unit corresponds to the following pertinent regulations:</b>	EC Machine Directive 2006/42/EC. EC EMC Directive 2004/108/EC EC - RoHS Directive 2011/65/EC
<b>Applied harmonised standards:</b>	EN 60335-1: 2012 EN 60335-2-69: 2009 EN 55014-1: 2006+A1: 2009+A2: 2011 EN 55014-2: 1997+A1: 2001+A2: 2008 EN 61000-3-2: 2006+A1: 2009+A2: 2009 EN 61000-3-3: 2008
<b>Applied national standards and technical specifications:</b>	DIN EN 60335-2-69:2010
<b>Name and address of the person authorised to compile the technical file:</b>	Anton Sørensen General Manager, Technical Operations EAPC  Nilfisk-Advance A/S Sognevej 25 DK-2605 Brøndby
<b>Identity and signature of the person empowered to draw up the declaration on behalf of the manufacturer:</b>	 Anton Sørensen General Manager, Technical Operations EAPC  Nilfisk-Advance A/S Sognevej 25 DK-2605 Brøndby
<b>Place and date of the declaration:</b>	Hadsund, 04-04-2013





## 9.5 Technical data

ATTIX 30 / 40 / 50										50-21 PC EC
		EU	CH / DK	GB 230	GB 110V	US	FR	AU/NZ	ZA	EU
Voltage	V	230			110	120	230	230 / 240		230
Mains frequency	Hz	50 / 60				60	50			50/60
Fuse	A	16	10	13	16	15	16	16	13	16
Power consumption <sub>IEC</sub>	W	1200			1000		1200			1100
ATTIX										
		30-01 30-01 PC	40-01 PC	50-01 PC	30-11 PC 30-21 PC 30-21 XC	40-21 PC 40-21 XC	50-21 PC 51-21 XC	50-21 PC EC		
Connected load for appliance socket	W	-			2400 1750 (GB 110) 600 (US)			2400		
Total connected load	W	1200 1000 (GB 110, US)			3600 2750 (GB 110) 1440 (US)			3500		
Air flow rate (max.)	m <sup>3</sup> /h l/min	222/3700 192/3200 (GB 110, US)								261 3600
Vacuum	mbar/ hPa kPa	250 / 25 230 / 23 (GB 110, US)								230 / 23
Sound pressure IEC 704	dB(A) +/-2	62								
Sound level	dB(A) +/-2	59								
Vibration ISO 5349	m/s <sup>2</sup>	≤ 2,5								
Power cord: Length		7,5								
Power cord: Type		1. (EU, AU) 2. (GB 110V) 3. (ZA, GB 230V) 4. (CH) 6. (US)	3. (EU, GB 230V) 4. (CH)	2. (GB 110V) 3. (EU, DK, ZA, GB 230V) 4. (CH) 6. (US)	3. (EU, GB 230V, DK, AU) 5. (GB 110V) 4. (CH) 6. (US)	3. (EU, AU) 4. (CH)	3. (EU, GB 230V, DK, AU) 5. (GB 110V) 6. (US)	3. (EU)		
Protection class		II				I				
Type of protection (splash water protected)		IPX4								
Radio interference level		EN 55014-1								
Tank volume	l	30	37	47	30	37	47			
Width	mm	360	440	360	360	440	360			
Depth	mm	450								
Height	mm	600	740	750	600	740	750			
Weight	kg	10	13	11	10 (PC) 11 (XC)	12 (PC) 14 (XC)	11 (PC) 12 (XC)		11	
1) H05RR-F 2x0.75 2) H05BQ-F 2x1.0 3) H05RR-F 3G1,5 4) H05RR-F 3G1,0 5) H07BQ-F 3G2,5 6) SJTW-A AWG 16/3										

## 9.6 Optional accessories

Description	Order No.
Fleece filter bag Attix 30 (5 pcs.)	302004000
Fleece filter bag Attix 40, 50 (5 pcs.)	302004004
Disposal bag Attix 30, 40, 50 (5 pcs.)	302000728
Zylindrical filter element PC	302000461
Flat filter element XC (2 Stück)	302002842
Cloth insert filter Attix 30	302000525
Cloth insert filter Attix 50	302000606
Nilfisk-Alto-Foam-Stop (6x1l)	8469

<sup>1)</sup> Optional accessories / Option depending on model  
Original Instruction

# Nilfisk ALTO

works for you

## HEAD QUARTER

### DENMARK

Nilfisk-Advance A/S  
Sognevej 25  
DK-2605 Brøndby  
Tel.: (+45) 4323 8100  
www.nilfisk-advance.com

## SALES COMPANIES

### ARGENTINA

Nilfisk-Advance srl.  
Herrera 1855, 6 floor, Of. A-604  
ZC 1293 – Ciudad Autónoma  
de Buenos Aires – Argentina  
www.nilfisk-alto.com

### AUSTRALIA

Nilfisk-ALTO  
Unit 1, 13 Bessemer Street Blacktown  
NSW 2148 Australia  
www.nilfisk-alto.com.au

### AUSTRIA

Nilfisk-ALTO  
Geschäftsbereich der Nilfisk-Advance GmbH  
Metzgerstraße 68  
A-5101 Bergheim/Salzburg  
www.nilfisk-alto.at

### BELGIUM

Nilfisk-Advance NV/SA  
Riverside Business Park  
Boulevard Internationaaleaan 55  
Bâtiment C3/C4 Gebouw  
Bruxelles 1070 Brussel  
www.nilfisk.be

### CHILE

Nilfisk-Advance S.A.  
San Alfonso 1462, Santiago  
www.nilfisk.com

### CHINA

Nilfisk-Advance Cleaning Equipment  
(Shanghai) Co Ltd.  
No. 4189, Yindu Road  
Xinzhuang Industrial Park  
Shanghai 201108  
www.nilfisk.cn

### CZECH REPUBLIC

Nilfisk-Advance s.r.o.  
Do Certous 1  
VGP Park Horní Pocernece, Budova H2  
CZ-190 00 Praha 9  
www.nilfisk.cz

### DENMARK

Nilfisk-ALTO Danmark  
Industrivej 1  
Hadsund, DK-9560  
www.nilfisk-alto.dk

### FINLAND

Nilfisk-Advance OY Ab  
Koskelontie 23E  
Espoo, FI-02920  
www.nilfisk.fi

### FRANCE

Nilfisk-Advance SAS  
Division ALTO  
BP 246  
91944 Courtaubeouf Cedex  
www.alto-fr.com

### GERMANY

Nilfisk-ALTO  
Geschäftsbereich der Nilfisk-Advance AG  
Guido-Oberdorfer-Straße 10  
89287 Bellenberg  
www.nilfisk-alto.de

### GREECE

Nilfisk-Advance A.E.  
8, Thoukididou Str.  
Argiroupoli, Athens, GR-164 52  
www.nilfisk.gr

### HOLLAND

Nilfisk-Advance B.V.  
Versterkerstraat 5  
1322 AN ALMERE  
www.nilfisk.nl

### HONG KONG

Nilfisk-Advance Ltd.  
2001 HK Worsted Mills Ind'l Bldg.  
31-39 Wo Tong Tsui St.  
Hong Kong, Kwai Chung, N.T.  
www.nilfisk.com

### HUNGARY

Nilfisk-Advance Kereskedelmi Kft.  
H-2310 Szigetszentmiklós-Lakihegy  
II. Rákóczi Ferenc út 10.  
www.nilfisk.hu

### INDIA

Nilfisk-Advance India Limited  
Pramukh Plaza, 'B' Wing, 4th floor, Unit No. 403  
Cardinal Gracious Road, Chakala  
Andheri (East), Mumbai 400 099  
www.nilfisk.com

### IRELAND

Nilfisk-Advance  
1 Stokes Place  
St. Stephen's Green  
Dublin 2, Ireland  
www.nilfisk-alto.ie

### ITALY

Nilfisk-Advance S.p.A.  
Strada Comunale Della Braglia, 18  
Guardamiglio, Lombardia, I-26862  
www.nilfisk.it

### JAPAN

Nilfisk-Advance Inc.  
1-6-6 Kita-Shinyokohama  
Kouhoku-Ku  
Yokohama 223-0059  
www.nilfisk-advance.co.jp

### KOREA

Nilfisk-Advance Korea  
471-4, Kumwon B/D 2F,  
Gunja-Dong, Gwangjin-Gu, Seoul  
www.nilfisk-advance.kr

### MALAYSIA

Nilfisk-Advance Sdn Bhd  
SD 33, Jalan KIP 10  
Taman Perindustrian KIP  
Sri Damansara  
52200 Kuala Lumpur  
Malaysia  
www.nilfisk.com

### MEXICO

Nilfisk Advance de Mexico S. de R.L. de C.V.  
Agustin M. Chavez 1, PB-004  
Col. Centro Ciudad Santa Fe  
C.P. 01210 México, D.F.  
www.nilfisk-advance.com.mx

### NEW ZEALAND

Nilfisk-Advance NZ Ltd  
Danish House  
6 Rockridge Avenue  
Penrose Auckland NZ 1135  
www.nilfisk.com.au

### NORWAY

Nilfisk-Advance AS  
Bjørnerudvejen 24  
Oslo, N-1266  
www.nilfisk-alto.no

### PERU

Nilfisk-Advance S.A.C.  
Calle Boulevard 162, Of. 703, Lima 33- Perú  
Lima  
www.nilfisk.com

### POLAND

Nilfisk-Advance Sp. z o.o  
ul. 3-go Maja 8, Bud. B4  
Pruszków, PL-05-800  
www.nilfisk-alto.pl

### PORTUGAL

Nilfisk-Advance, Lda.  
Sintra Business Park  
Zona Industrial Da Abrunheira  
Edifício 1, 1o A  
Sintra, P-2710-089  
www.nilfisk.pt

### RUSSIA

Nilfisk-Advance LLC  
Vyatskaya str. 27, bld. 7, 1st floor  
Moscow, 127015  
www.nilfisk.ru

### SOUTH AFRICA

WAP South Africa (Pty) Ltd  
12 Newton Street  
1620 Spartan, Kempton Park  
www.wap.co.za

### SINGAPORE

Den-Sin  
22 Tuas Avenue 2  
Singapore  
www.nilfisk.com

### SPAIN

Nilfisk-Advance, S.A.  
Torre D'Ará  
Passeig del Rengle, 5 Pta.10ª  
Mataró, E-0830222  
www.nilfisk.es

### SWEDEN

Nilfisk-Advance AB  
Taljegårdsgatan 4  
431 53 Mölndal  
Website: www.nilfisk-alto.se

### SWITZERLAND

NA Sondergger AG  
Nilfisk-ALTO Generalvertretung  
Mühlestrasse 10  
CH-9100 Herisau  
www.nilfisk-alto.ch

### TAIWAN

Nilfisk-Advance Ltd.  
Taiwan Branch (H.K.)  
No. 5, Wan Fang Road, Taipei  
www.nilfisk-advance.com.tw

### THAILAND

Nilfisk-Advance Co. Ltd.  
89 Soi Chochechai-Ruammitr  
Viphavadee-Rangsit Road  
Jomphol, Jatuchak  
Bangkok 10900  
www.nilfisk.com

### TURKEY

Nilfisk-Advance Prof. Tem. Ek. Tic. A.S.  
Şerifali Mh. Bayraktar Bulv. Sehiti Sk. No:7  
Umraniye, Istanbul 34775  
www.nilfisk.com.tr

### UNITED KINGDOM

Nilfisk-ALTO  
Bowerbank Way, Gilwilly Industrial Estate  
Penrith, Cumbria  
GB-CA11 9BQ  
www.nilfisk-alto.co.uk

### UNITED ARAB EMIRATES

Nilfisk-Advance Middle East Branch  
SAIF-Zone, P. O. Box 122298  
Sharjah  
www.nilfisk.com

### USA

Nilfisk-Advance  
14600 21st Ave. North  
Plymouth MN 55447-3408  
www.nilfisk-alto.us

Nilfisk-Advance, Inc.  
Industrial Vacuum Division  
740 Hemlock Road, Suite 100  
Morgantown, PA 19543  
www.nilfisk-alto.us

### VIETNAM

Nilfisk-Advance Co., Ltd.  
No.51 Doc Ngu Str. Lieu Giai Ward  
Ba Dinh Dist. Hanoi  
www.nilfisk.com